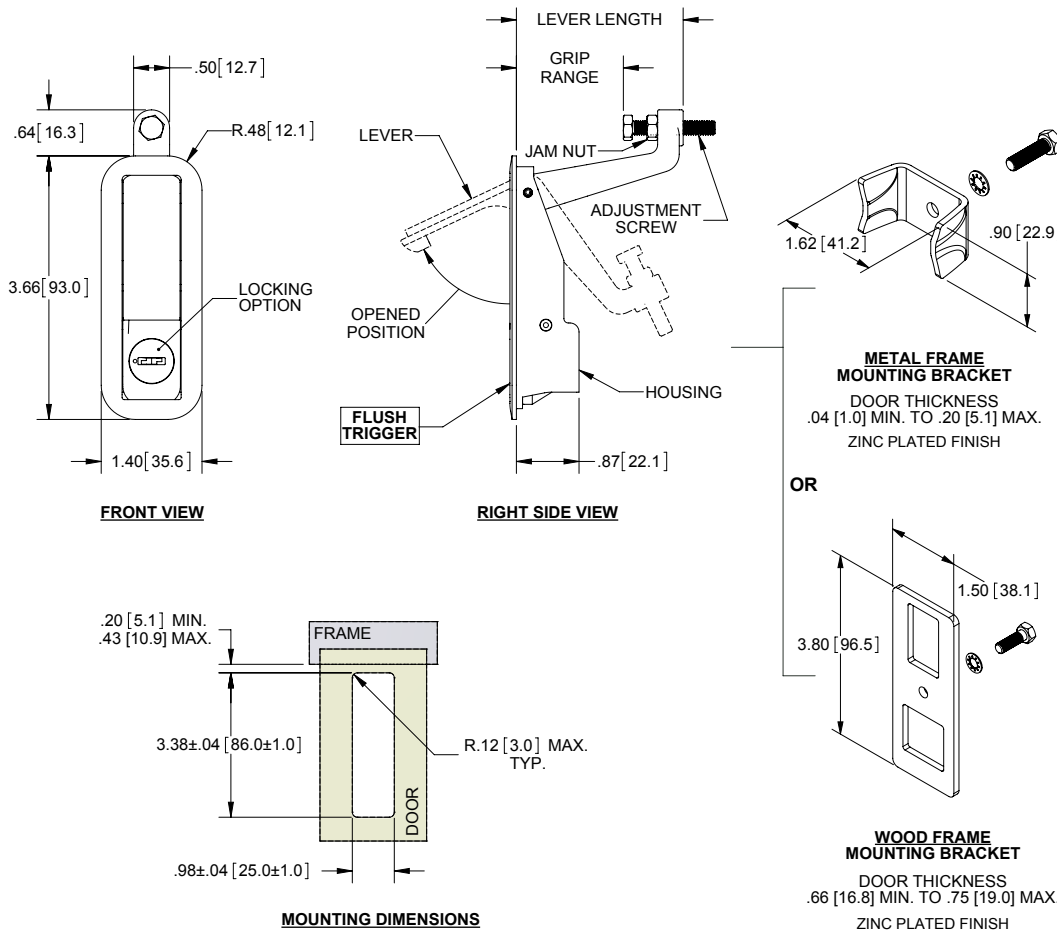


PAT. Flush Trigger Compression Latches



Features

- ▶ die cast zinc
- ▶ low profile
- ▶ spring loaded lever
- ▶ mounting bracket per table
- ▶ (2) ringed keys included
- ▶ jam nut can be positioned on opposite side of lever in order to achieve maximum grip range
- ▶ also available with a thicker gauge metal frame mounting bracket for heavier duty applications (part no. **X44-MK01**)
- ▶ optional adjustment screw with plastic head (part no. **371**) is available separately, see below

Single Key Code Latches and Non-locking Latches

Grip Range .04 [1.0] to .95 [24.1] (1.4 [36] Lever Length)				Grip Range .91 [23.1] to 1.81 [46.0] (2.3 [58] Lever Length)				Mounting	Style
Matte Black	Polished Chrome	Textured Chrome	Gray	Matte Black	Polished Chrome	Textured Chrome	Gray		
47BK-751	47CH-751	47TC-751	47G-751	47BK01-751	47CH01-751	47TC01-751	47G01-751	metal mounting	locking- CH751
47BK	47CH	47TC	47G	47BK01	47CH01	47TC01	47G01	metal mounting	non-locking
49BK-751	49CH-751	49TC-751	49G-751	49BK01-751	49CH01-751	49TC01-751	49G01-751	wood mounting	locking- CH751
49BK	49CH	49TC	49G	49BK01	49CH01	49TC01	49G01	wood mounting	non-locking

Adjustment Screw with Plastic Head

Part Number	Material	Grip Range
371	304SS screw & nut	0 [0] - .79 [20.1] .59 [15.1] - 1.65 [42.0]

- ▶ plastic head protects surface finish from being damaged

