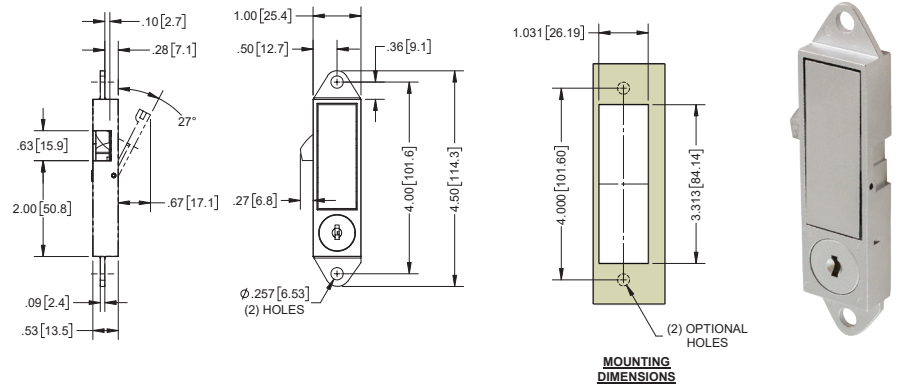




## Push to Close Latch

Part Number	Material	Finish
<b>1140</b>	die cast zinc	textured chrome

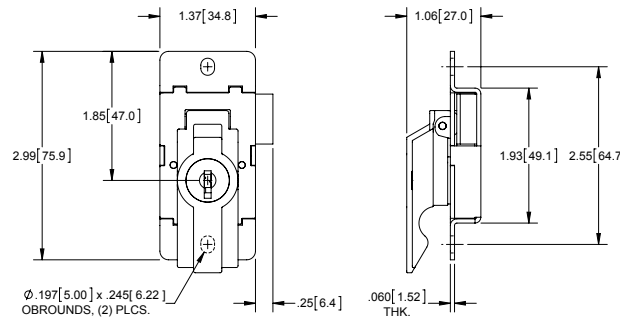
▶ includes (1) brass key



## Panel Board Latch

Part Number	Key Code (2 Keys)	Left or Right	Finish
<b>GE1LH</b>	CAT 60	left	zinc plated
<b>GE1RH</b>	CAT 60	right	zinc plated
<b>GE1LH1</b>	SP 60	left	zinc plated
<b>GE1RH1</b>	SP 60	right	zinc plated

- ▶ lever and bolt are die cast zinc
- ▶ case is formed steel
- ▶ maximum intended panel thickness is .120 [3.05]
- ▶ key removable in locked or unlocked position

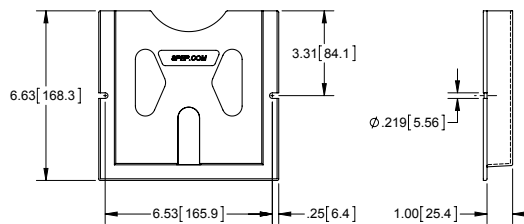


LEFT HAND SHOWN

## Small Print Pocket

Part Number	Double Sided Tape	Material
<b>177P</b>	yes	ANSI 61 gray polystyrene
<b>177P-04</b>	no	ANSI 61 gray polystyrene

- ▶ pockets are individually polybagged
- ▶ custom logos and instruction sheet available if ordered in sufficient quantity



## Large Print Pocket

Part Number	Double Sided Tape	Material
<b>179P</b>	yes	ANSI 61 gray polystyrene
<b>179P-10</b>	yes heavy duty tape	ANSI 61 gray polystyrene
<b>179P-04</b>	no	ANSI 61 gray polystyrene

- ▶ pockets are individually polybagged
- ▶ custom logos and instruction sheet available if ordered in sufficient quantity

