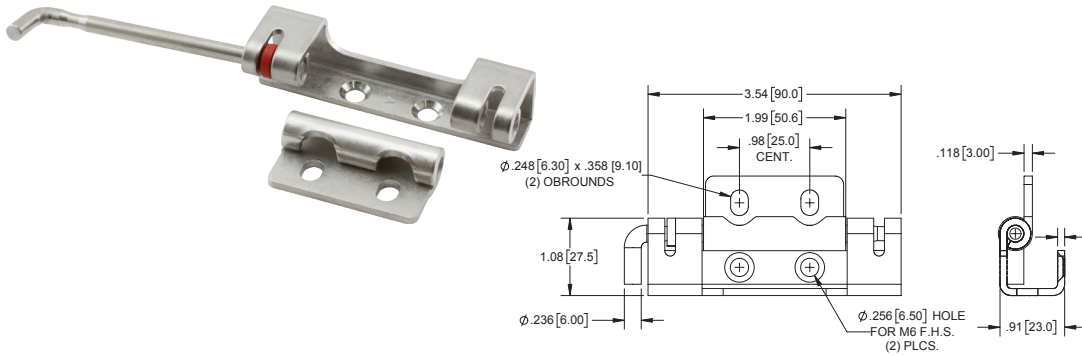


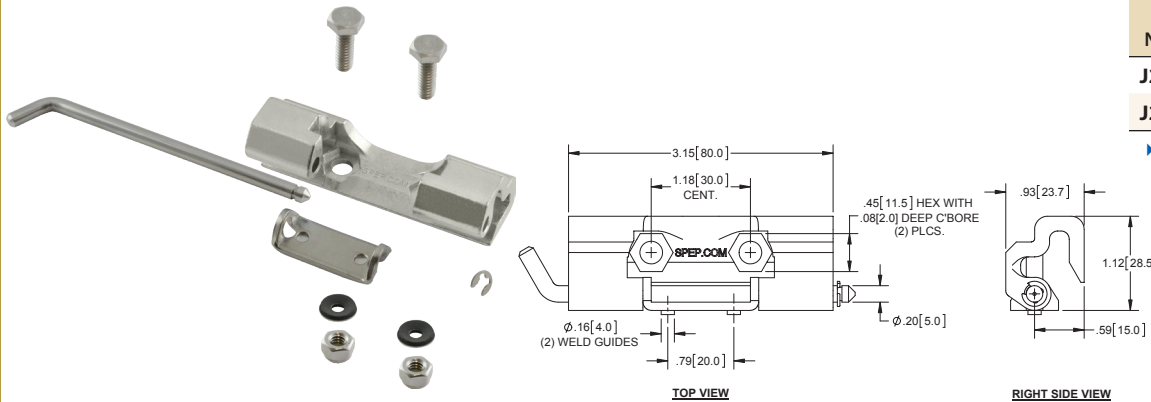
### Heavy Duty Hinges with Quick Release Pin



Part Number	Material	Finish
J2188	steel	zinc plated
J2188SS	304SS	passivated

- ▶ includes:
- ▶ box leaf
- ▶ lid leaf
- ▶ pin
- ▶ capture ring
- ▶ features a captive pin design to prevent pin from slipping out with vibration or when installing in different orientations

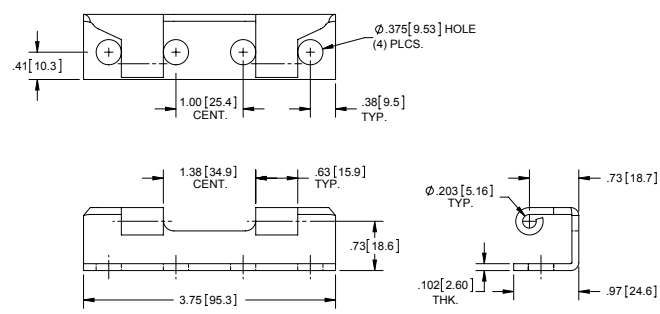
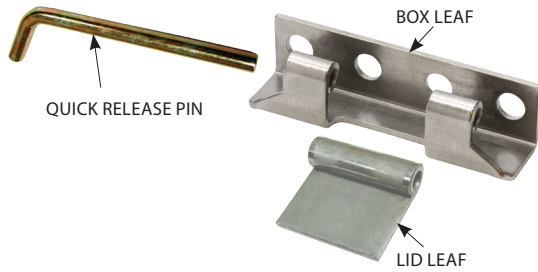
### Enclosure Hinge Kits with Cast Box Leaves



Part Number	Box Leaf Material	Finish
J2130	die cast zinc	clear zinc
J2130SS	304SS	passivated

- ▶ includes:
- ▶ box leaf
- ▶ lid leaf
- ▶ pin
- ▶ c-clip
- ▶ (2) 1/4-20 screws
- ▶ (2) sealing washers
- ▶ (2) 1/4-20 nylon nuts

### Enclosure Hinge

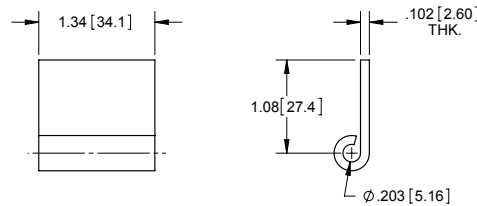


#### Box Leaf

Part Number	Material	Finish
J3090	steel	zinc plated
J3090SS	304SS	tumbled
<b>NEW</b> J3090SST	316SS	tumbled

#### Lid Leaf

Part Number	Material	Finish
J3091	steel	mill
J3091SS	304SS	mill



#### Quick Release Pin

Part Number	Material	Finish
J3092	steel	zinc & yellow chromate
J3092SS	304SS	mill

