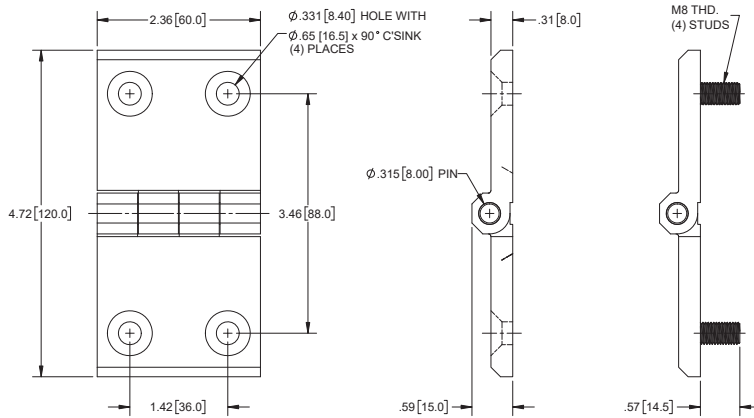


### Die Cast Zinc Butt Hinges

Part No.	Mounting
<b>H2269BK</b>	Ø8.40mm hole with Ø16.50mm x 90° c'sink
<b>H2269BK-01</b>	M8 threaded studs

- ▶ steel, nickel plated pin
- ▶ steel, nickel plated studs



part no.  
**H2269BK**

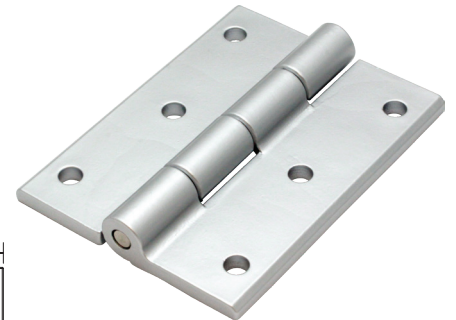
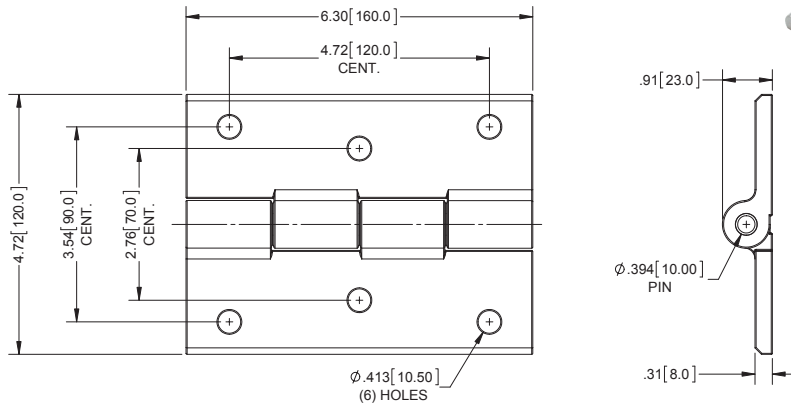


part no.  
**H2269BK-01**

### Heavy Duty Butt Hinges

Part Number	Material	Finish
<b>H2219BK</b>	cast steel	black painted
<b>H2219G</b>	cast steel	gray painted

- ▶ stainless steel pin



### Die Cast Zinc Hinge with Screw Covers

Part No.	Material	Finish
<b>H2233</b>	die cast zinc	matte black, lightly textured

- ▶ covers material: nylon
- ▶ steel, nickel plated pin
- ▶ includes (4) steel screws

