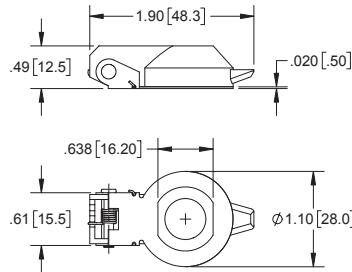


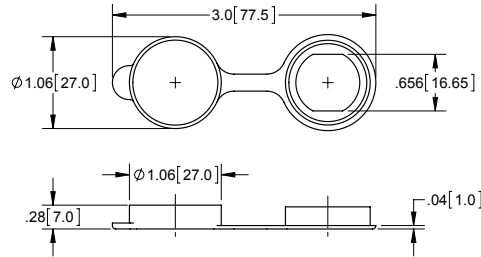
Cam Lock Dust Cover



Part Number	Finish
K220	chrome

- ▶ protects cam lock from dirt and water
- ▶ spring loaded lid keeps itself closed
- ▶ stamped stainless steel/zinc die cast construction

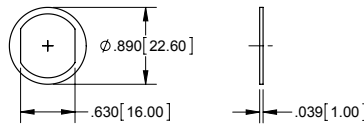
Plastic Cam Lock Dust Cover



Part Number	Finish
K221	black

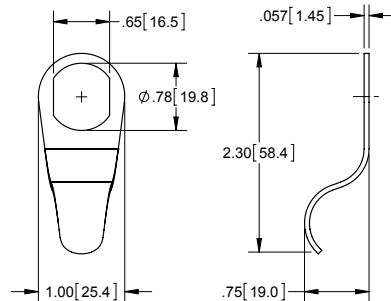
- ▶ durable thermoplastic

Neoprene Gasket



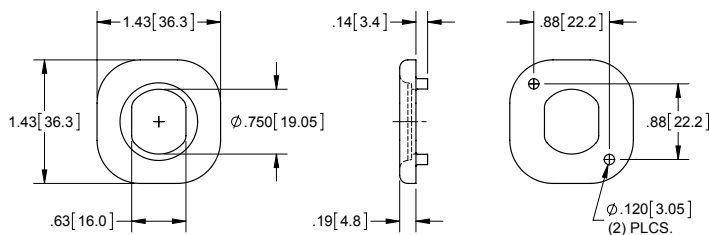
Part Number	Finish
K04G	black

Cam Lock Finger Pull



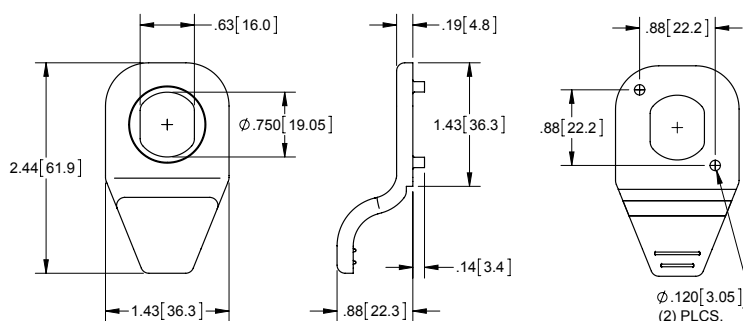
Part Number	Material	Finish
KH34SS	304SS	tumbled

Plastic Cam Lock Base



Part Number	Material	Finish
KH36PW	UV stable polycarbonate	polar white
KH36NW	UV stable polycarbonate	new white

Plastic Cam Lock Finger Pull



Part Number	Material	Finish
KH35PW	UV stable polycarbonate	polar white
KH35NW	UV stable polycarbonate	new white