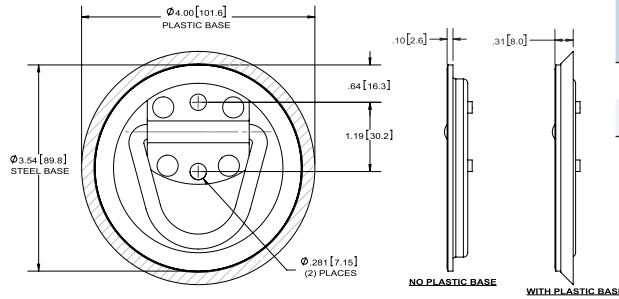


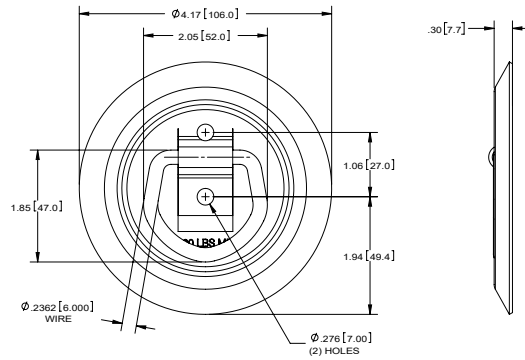
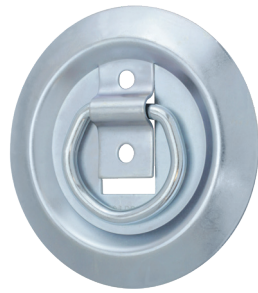
1,200 lb. Tie Down Rings



Part Number	Material	Finish	Plastic Base	Breaking Load Capacity
858	steel	zinc plated	yes	1,200 lb.
858-01	steel	zinc plated	no	1,200 lb.

- ▶ black plastic base is not included with part no. 858-01
- ▶ $\phi 2.50$ [6.35] steel D-ring
- ▶ $.063$ [1.60] thick base and D-ring holder

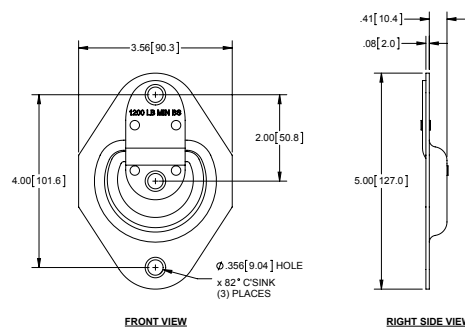
1,200 lb. Tie Down Ring



Part Number	Material	Finish	Breaking Load Capacity
863ZN	steel	zinc plated	1,200 lb.

- ▶ $.059$ [1.50] thick base

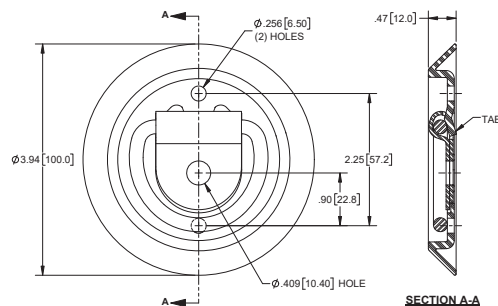
1,200 lb. Tie Down Ring



Part Number	Material	Finish	Breaking Load Capacity
856	steel	zinc plated	1,200 lb.

- ▶ $\phi 2.36$ [6.00] wire
- ▶ $.079$ [2.00] thick base and wire holder

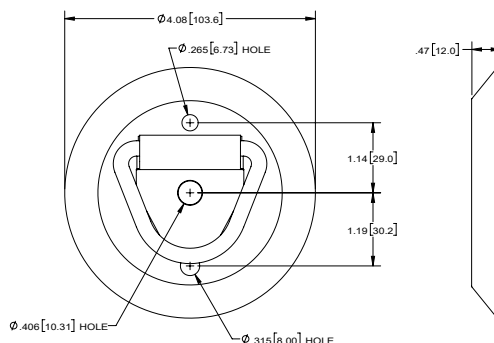
1,200 lb. Tie Down Ring



Part Number	Material	Finish	Breaking Load Capacity
858-05	steel	zinc plated	1,200 lb.

- ▶ black plastic base
- ▶ tab on plastic base provides a snug fit that prevents ring from rattling and holds it in place at any position
- ▶ $\phi 2.36$ [6.00] steel D-ring
- ▶ $.059$ [1.50] thick D-ring holder

1,500 lb. Tie Down Ring



Part Number	Material	Finish	Breaking Load Capacity
857	steel/plastic	zinc plated	1,500 lb.

- ▶ black plastic base
- ▶ $\phi 2.50$ [6.35] steel D-ring
- ▶ $.059$ [1.50] thick D-ring holder
- ▶ D-ring assembly can be purchased separately as part number 857-01